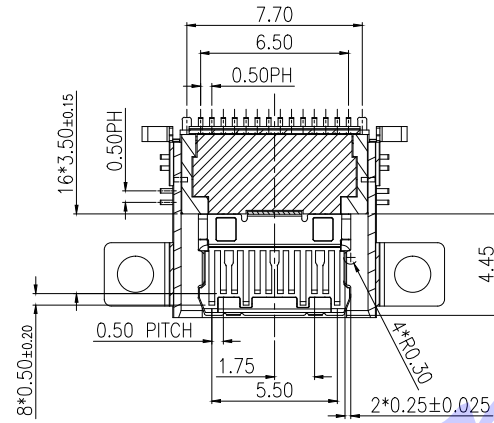
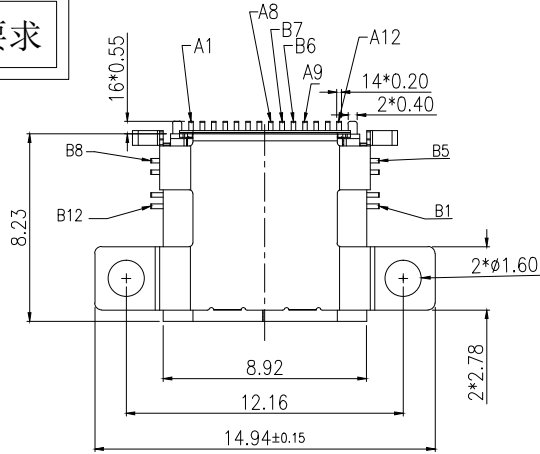


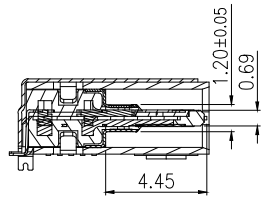
符合RoHS环保要求



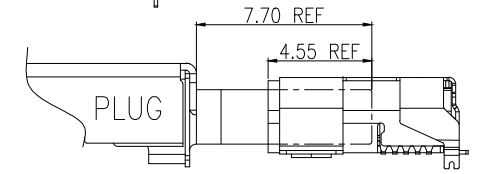
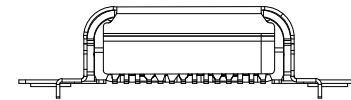
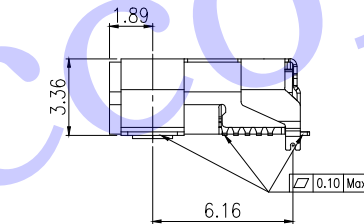
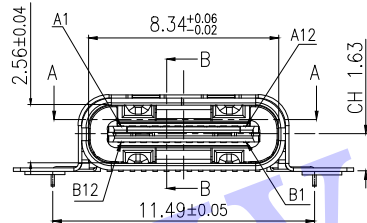
SECTION A-A
SCALE 1-1

- NOTES:
- ELECTRICAL:
 - CONTACT CURRENT RATING 5.0A FOR VBUS AND GND(PINS A4 A9 B4 B9)
 - INSULATION RESISTANCE: 100 MEGAOHMS MIN. AT 250VDC.
 - DIELECTRIC WITHSTANDING VOLTAGE: 100VAC MIN.
 - LOW CONTACT RESISTANCE: INITIAL 40mΩ MAX. AFTER 50mΩ MAX.
 - MECHANICAL CHARACTERISTICS:
 - INSERTION FORCE: 5N~20N.
 - EXTRACTION FORCE: 8N~20N FORM 1 TO 1000CYCLES. 6~20N FORM 1001 TO 10000CYCLES.
 - DURABILITY: 10,000 MATING CYCLES
 - OPERATING TEMPERATURE: -55°C TO +85°C
 - COPLANARITY: 0.10MAX.
 - PART NUMBER INFORMATION:

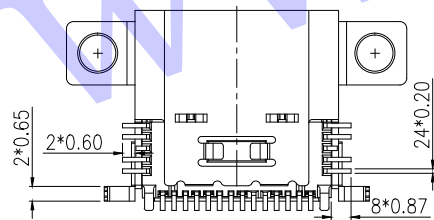
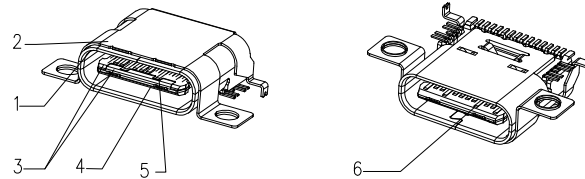
PART NUMBER	CONTACT PLATING
199-1163012401	CONTACT Au Gold flash
199-116391249R	CONTACT Au 5u"
199-1163102401	CONTACT Au 10u"
199-1163152401	CONTACT Au 15u"
199-1163302401	CONTACT Au 30u"



SECTION B-B
SCALE 1-1



MATING INTERFACE

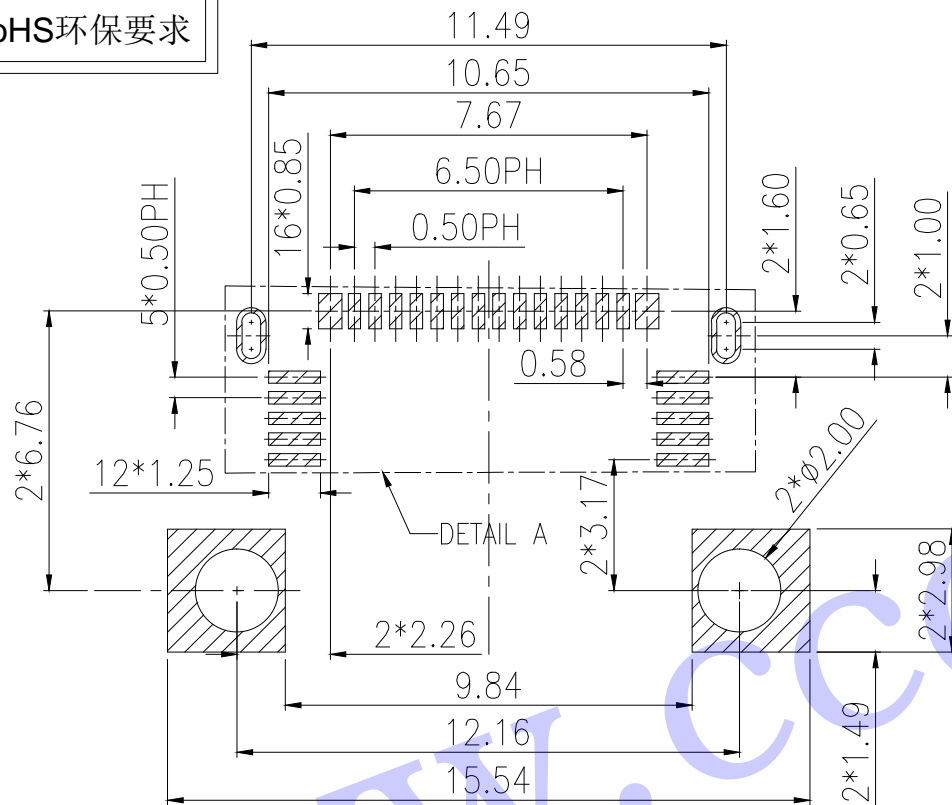


TABLE

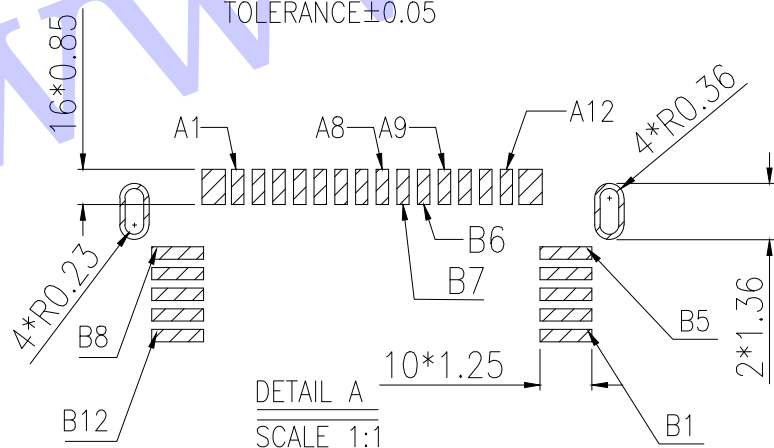
ITEM	PART NAME	QTY	MATERIAL	REMARK
1/2	SHELL	2PCS	STAINLESS	NICKEL PLATED 50u" MIN. OVER ALL CLEAN
3	INSERT HOUSING	2PCS	PA10T	UL94V-0
4	Mid-PLATE	1PCS	STAINLESS	NI PLATED 50u" MIN. OVER ALL
5	TOP CONTACT	1SET	COPPER ALLOY	NI UNDERPLATED 50 u" MIN OVER ALL; Au 1u" ON SOLDER TAIL;
6	BOTTOM CONTACT	1SET	COPPER ALLOY	Gold Flash" or 5u" or 10u" or 15u" or 30u" ON CONTACT AREA.

UNITS	SCALE	REV.	SHEET	深圳市创粤科技有限公司			
mm	1:1	B3	1 OF 1	DATE	2018.08.25		
GENERAL TOLERANCE				DR.	Andy.Pi		
0.	±0.15	CHK.	Andy.Pi	TITLE		USB Type C 24PIN全贴SMT G2	
0.0	±0.10	APPD.	chen.jiangnan	SEE TABLE		FINISH SEE TABLE	
0.00	±0.05			DWG.NO.	A	PART NO. /	SIZE A4
0.*	±4°						
0.0°	±2°						

符合RoHS环保要求



RECOMMENED PCB LAYOUT
TOLERANCE ±0.05



PIN	SIGNAL NAME	PIN	SIGNAL NAME
A1	GND	B12	GND
A2	SSTXp1	B11	SSRXp1
A3	SSTXn1	B10	SSRXn1
A4	VBUS	B9	VBUS
A5	CC1	B8	SBU2
A6	Dp1	B7	Dn2
A7	Dn1	B6	Dp2
A8	SBU1	B5	CC2
A9	VBUS	B4	VBUS
A10	SSRXn2	B3	SSTXn2
A11	SSRXp2	B2	SSTXp2
A12	GND	B1	GND

UNITS mm	SCALE 1:1	REV. B3	SHEET 1 OF 1	深圳市创粤科技有限公司			
		DATE 2018.08.25	TITLE USB Type C 24PIN全贴SMT G2				
GENERAL TOLERANCE		DR. Andy.Pi	MAT'L SEE TABLE		FINISH SEE TABLE		
0.	±0.15	CHK. Andy.Pi	DWG.NO.		A	PART NO. /	
0.0	±0.10	APPD. chen.jiangnan				SIZE A4	
0.00	±0.05						
0.°	±4°						
0.0°	±2°						